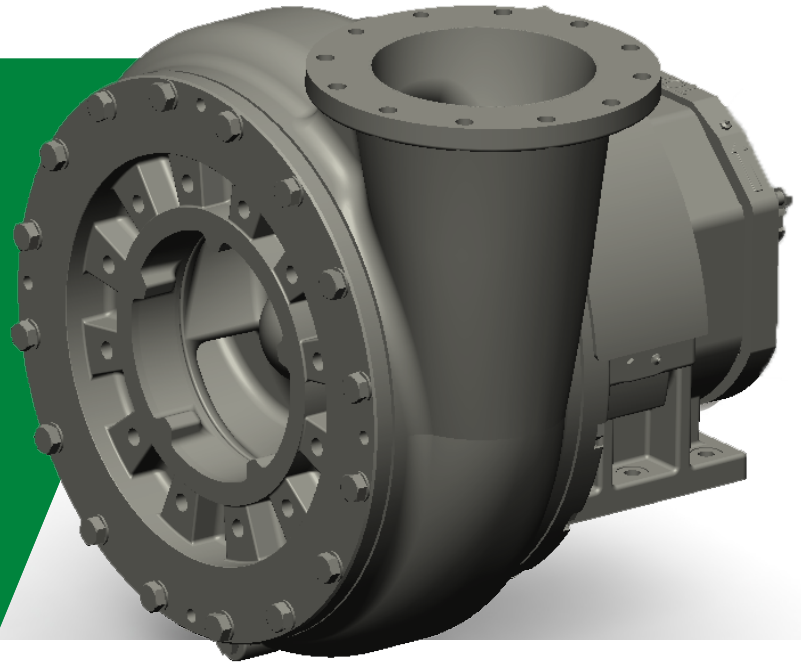




SILVERBACK SL SERIES

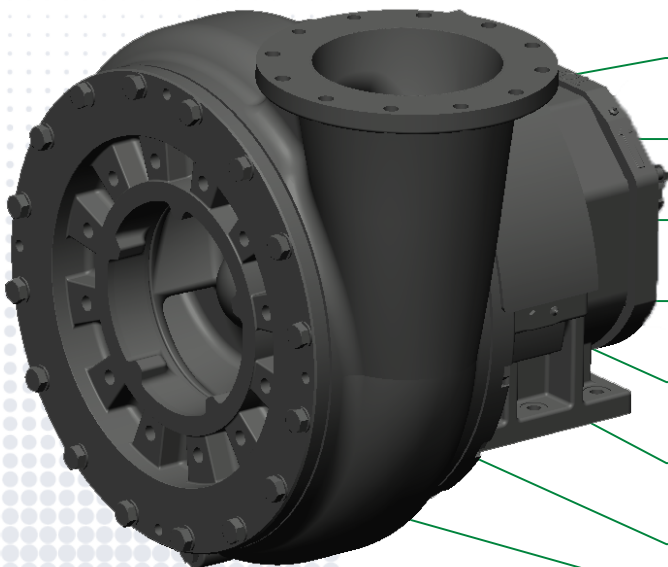
BLENDER DISCHARGE PUMPS



There's No Time For Downtime

Our Silverback Blender Discharge pump design eliminates the need for mechanical seals or packing: which is the leading cause of pump failure. The result is a leak-free pump that refuses to quit. Silverback lasts up to 40 times longer than OEM comparable pumps – offering the lowest total cost of ownership. Your pump becomes a capital investment instead of a costly operating expense.

Our SL Series pumps are available in two standard sizes and four configurations, each providing easy drop-in replacement for the most commonly used pump footprints: **14x12x22 and 12x10x25**



HIGH-PRESSURE PUMP-OUT VANES TO INCREASE WEAR RESISTANCE

RUN AT A CONSTANT SPEED OF 1,000 RPM TO DRAMATICALLY REDUCE WEAR

HEAVY WALL CONSTRUCTION ELIMINATES FLANGE WASHOUTS OR CRACKED PUMP CASES

HEAVY-DUTY BEARING HOUSINGS AND WEAR PLATES (FULL SLURRY PUMP)

NO MECHANICAL SEALS OR PACKING, HIGH-QUALITY LIP SEALS AND EXPELLER

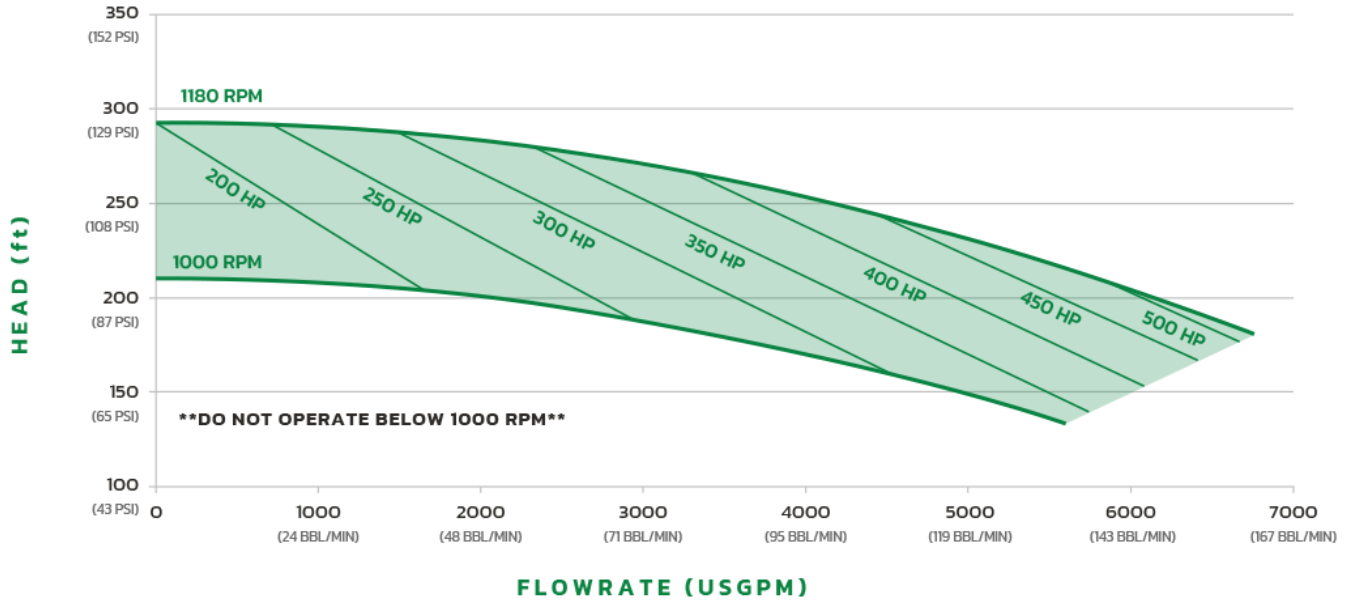
VIRTUALLY ELIMINATES 'AUTOMATED SHUTOFF' DELAYS DUE TO LEAKAGE

FULLY DRY RUN CAPABLE

DROP-IN REPLACEMENT FOR INDUSTRY STANDARD 14X12X22 PUMP

The Silverback SL Series is built to out-perform.

WATER PERFORMANCE - ENCLOSED IMPELLER - STANDARD VOLUTE



Models



Standard Slurry
14 x 12 x 22



Semi-Open High Proppant Rate



Low-Flow
12 x 10 x 25



Top Drive

Key Benefits

- KEEPS CREWS WORKING AND OPERATIONS FLOWING
- VIRTUALLY ELIMINATES ANY RISK OF PUMP-RELATED LEAKS
- PUMPS UP TO 1 BILLION POUNDS BEFORE A WEAR-RELATED REBUILD IS REQUIRED
- MAXIMIZE EFFICIENCY THROUGHOUT PRODUCT LIFECYCLE
- RELIABLE AND REPEATABLE PERFORMANCE, EVEN AS THE PUMP WEARS

**BUILT STRONGER
TO LAST LONGER**

CONTACT

825-413-5747
sales@ipumps.com